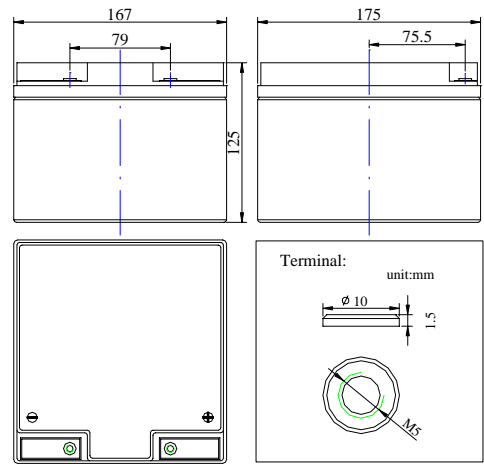


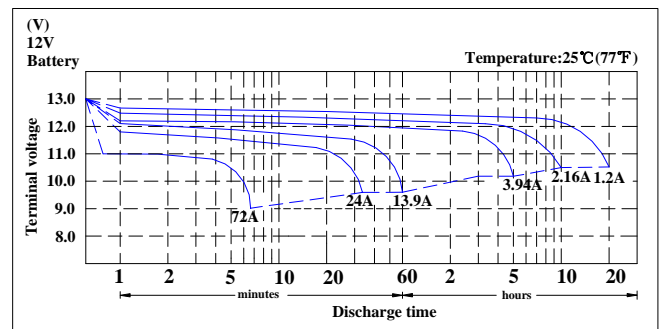
□DC24-12



Specifications

Nominal Voltage		12V
Rated Capacity (20 hour rate)		24AH
Dimension	Total Height (with terminals)	125mm(4.92inches)
	Height	125mm(4.92inches)
	Length	165mm(6.50inches)
	Width	176mm(6.93 inches)
Weight		Approx.8.9 kg (19.62lbs)

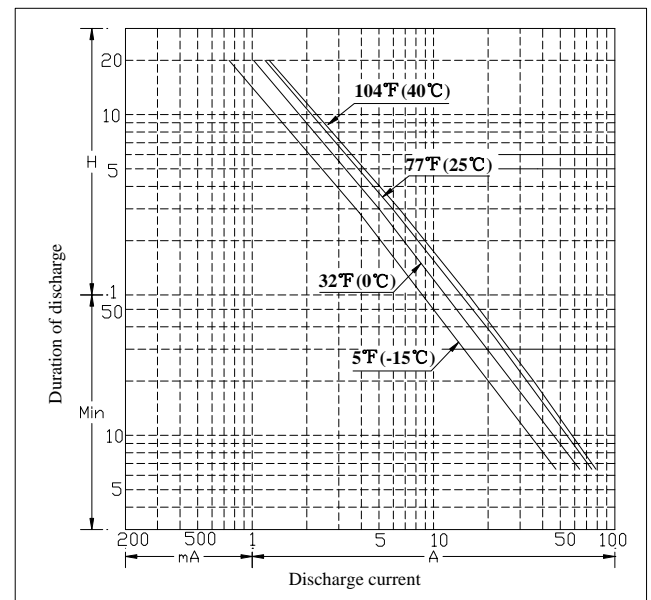
Discharge characteristics 77°F (25°C)



Characteristics

Capacity 77°F (25°C)	20 hour rate (1.2A to 10.5Volts)	24AH
	10 hour rate (2.16A to 10.5Volts)	21.6AH
	5 hour rate (3.94A to 10.2Volts)	19.7AH
Internal Resistance	Full charged Battery 77°F (25°C)	10m Ω
Capacity affected by Temperature (20 hour rate)	104°F (40°C)	102%
	77°F (25°C)	100%
	32°F (0°C)	85%
	5°F (-15°C)	65%
Self-Discharge 77°F (25°C)	Capacity after 3 month storage	91%
	Capacity after 6 month storage	82%
	Capacity after 12 month storage	64%
Standard Terminal	M5	
Max. Discharge Current 77°F (25°C)	360A (5s)	
Cranking Performance	Cranking Amps (30-sec amps to 7.2V @ 32° F (0° C)	195A
	Cold Cranking Amps (30-sec amps to 7.2V @ 0° F (-18° C)	160A
Reserve Capacity(Minutes to 10.5V at 80°F (27°C) @ 25Amps		27Min
Charging (Constant Voltage)	Cycle	Initial Charging Current 4.8A Or Small 14.5V~14.9V/77°F (25°C)
	Float	13.6V~13.8V/77°F (25°C)

Duration of discharge vs. Discharge current



Constant Current Discharge Rating Amperes @ 77 °F (25°C)

Cut off voltage V/cell	15M	30M	45M	1H	2H	3H	5H	8H	10H	12H	20H	24H
1.75V	35	22	17	13.6	7.2	5.4	3.8	2.6	2.16	1.84	1.20	1.00