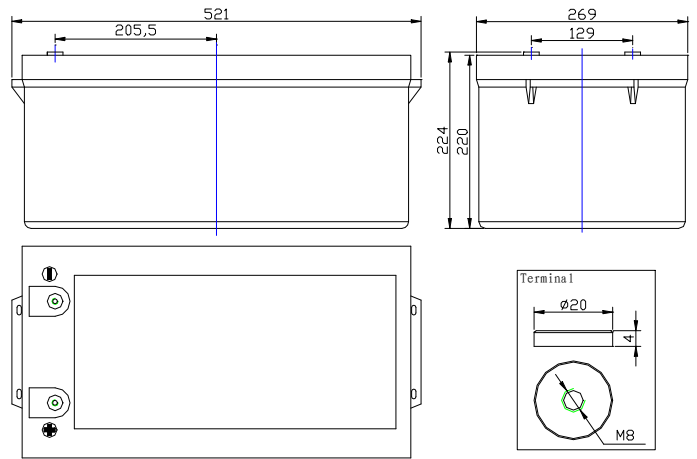


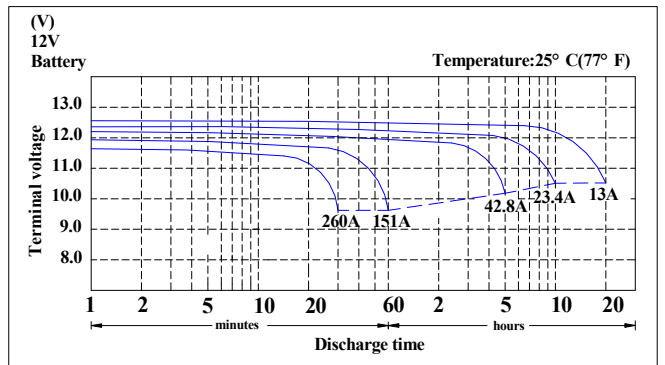
# □DC260-12



## Specifications

Nominal Voltage		12V
Rated Capacity (20 hour rate)		260AH
Dimension	Total Height (with terminals)	224mm(8.82inches)
	Height	220mm(8.66inches)
	Length	521mm(20.51inches)
	Width	269mm(10.59inches)
Weight		Approx.78.2kg (172.40lbs)

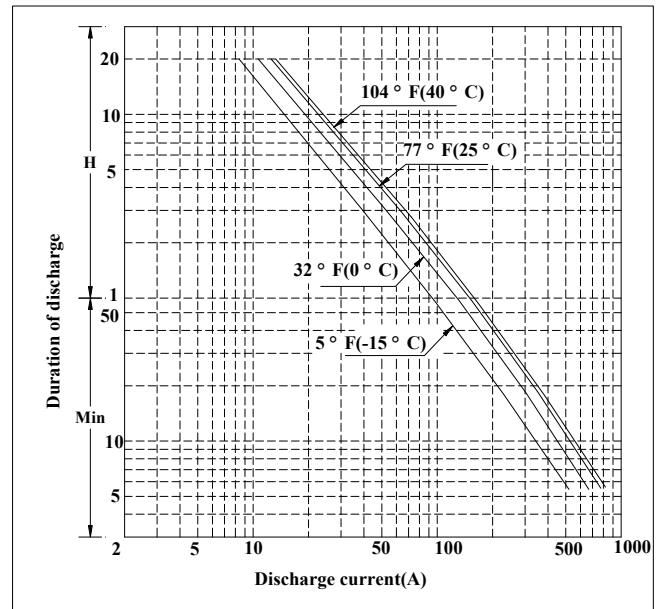
## Discharge characteristics 77°F (25°C)



## Characteristics

Capacity 77°F (25°C)	20 hour rate (13A to 10.5Volts)	260AH	
	10 hour rate (23.4A to 10.5Volts)	234AH	
	5 hour rate (42.8A to 10.2Volts)	214AH	
Internal Resistance	Full charged 77°F (25°C)	1.8mΩ	
Capacity affected by Temperature (20 hour rate)	104°F (40°C)	102%	
	77°F (25°C)	100%	
	32°F (0°C)	85%	
	5°F (-15°C)	65%	
Standard Terminal	M8		
Self-Discharge 77°F (25°C)	Capacity after 3 month storage	91%	
	Capacity after 6 month storage	82%	
	Capacity after 12 month storage	64%	
Max. Discharge Current 77°F (25°C)	2600A (5s)		
Reserve Capacity (Minutes to 10.5V at 80°F (27°C))		@ 25Amps	530Min
		@ 75Amps	130Min
Charging (Constant Voltage)	Cycle	Initial Charging Current 52A Or Small 14.5V~14.9V/77°F (25°C)	
	Float	13.6V~13.8V/77°F (25°C)	

## Duration of discharge vs. Discharge current



## Constant Current Discharge Rating Amperes @ 77 °F (25°C)

Cut off voltage V/cell	30M	45M	1H	2H	3H	5H	8H	10H	12H	20H	24H
1.75V	233	172	147.8	78.3	58.9	41.3	28.3	23.40	19.93	13.00	10.88