

KB8170TR 8V 170Ah



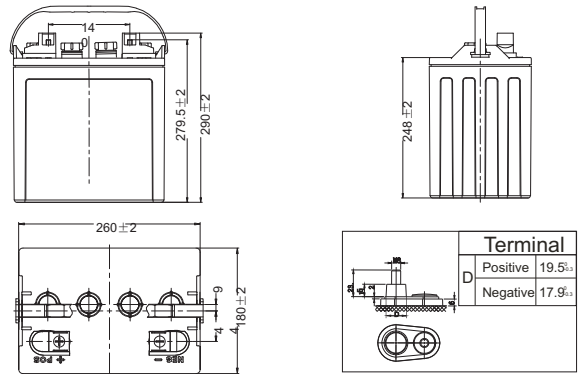
Kaise motive power batteries are mainly used in electric bicycles, electric tricycles, low-speed electric cars, golf carts and sightseeing carts. The products are mainly supplied to the mainstream manufacturers in the industry.



Performance Characteristics

Nominal Voltage	8V		
Dimensions	Length (mm / inch)	260 / 10.24	
	Width (mm / inch)	180 / 7.09	
	Height (mm / inch)	248 / 9.76	
	Total Height (mm / inch)	279.5 / 11.0	
Approx Weight	(Kg / lbs)	279.5 / 11.0	
Design Life	10 years		
Terminal	DT - F2		
Container Material	PP		
Rated Capacity	170Ah / 8.5A	(20hr, 1.75V / cell, 25°C / 77°F)	
	145h / 29A	(5hr, 1.75V / cell, 25°C / 77°F)	

Dimensions and Terminal (Unit: mm (inches))



Applications

- Electric bicycles
- Electric tricycles
- Electric cars
- Golf Carts
- Sightseeing Carts

Certifications

ISO 9001:2008 ISO 14001:2008



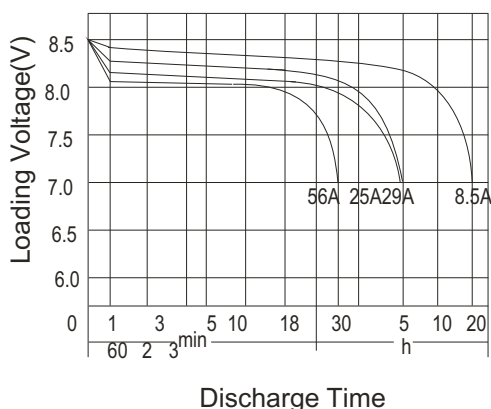
Discharge Current vs. Discharge Voltage

Final discharge voltage V/CELL	1.8	1.75	1.7	1.6
Discharge current (A)	$I \leq 0.1CA$	$0.25CA \geq I > 0.1CA$	$0.55CA \geq I > 0.25CA$	$I > 0.55CA$

Supplement Charge:

- Charging at a constant voltage of 9.8-10V/cell and a limited current 0.25C (A) until the electrolyte 20 density up to 1.280g/cm³ (30°C) and the current not change for 3 hours.
 - Charge with constant current 0.1C (A) until the 20 voltage between 10.4-11.2V/cell, and voltage maintains for 3 hours and not change.
- Two method optional

Discharge Characteristics (25°C, 77°F)



(Note) The above characteristics data are average values obtained within three charge/discharge cycles not the minimum values.