

**RB-KBLI12-1000****12.8V 100Ah**

**Longer Cycle Life:** Offers up to 20 times longer cycle life and five times longer float/calendar life than lead acid battery, helping to minimize replacement cost and reduce total cost of ownership.

**Lighter Weight:** About 40% of the weight of a comparable lead acid battery. A 'drop in' replacement for lead acid batteries.

**Higher Power:** Delivers twice power of lead acid battery, even high discharge rate, while maintaining high energy capacity.

**Wider Storage Temperature Range:** -20 °C-60 °C.

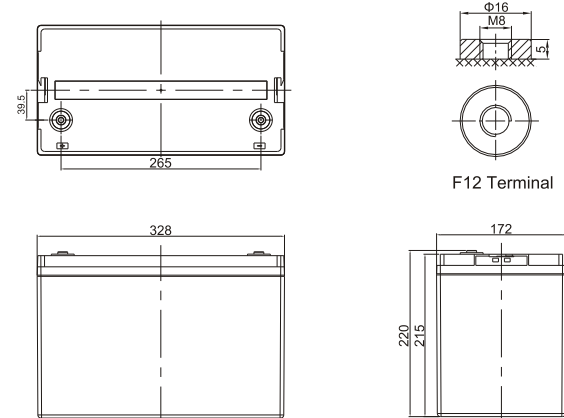
**Superior Safety:** Prismatic Lithium Iron Phosphate chemistry eliminates the risk of explosion or combustion due to high impact, overcharging or short circuit situation.



### Performance Characteristics

Nominal Voltage	12.8V
Nominal Capacity	100Ah
Energy	1.28kWh
Cycle Life	>3500 cycles at 100%DOD
Efficiency of charge	100% @ 0.5C
Efficiency of Discharge	96-99% @ 1C
Charge Voltage	14.6V
Charge Mode	@0.2C(A) to 14.6V, then @14.6V till charge current <0.05C(A) (CC/CV)
Charge Current	20 (0.2C)
Max. Charge Current	100A
Max. Discharge Current	100A
Discharge Cut-off Voltage	10V
Operating Humidity	0-95% RH (No condensing)
Operating Temperature range	Charge: 0 ~+45°C/32 ~ 113°F Discharge: -20 ~+55°C/-4 ~ +131°F
Storage Temperature range	-20 ~+60°C / -4 ~+140°C
IP Class	IP65
Plastic Case	ABS
Approx. Dimensions	330mm*172mm*214mm (12.99in.*6.77in.*8.42in.)
Approx. Weight	11±0.5kg (26.46lbs)
Terminal	M8
Communication Interface	/
BMS Functions	Cell Voltage/Current Balance, Temperature, MOSFETS
Protection	Over voltage, Low voltage, Over current, Over Temperature, Low Temperature
Certification	UN38.3, CE
Parallels Support	No Support <sup>1</sup>
Series Support	No Support <sup>2</sup>

### Physical Dimension-mm



### Applications

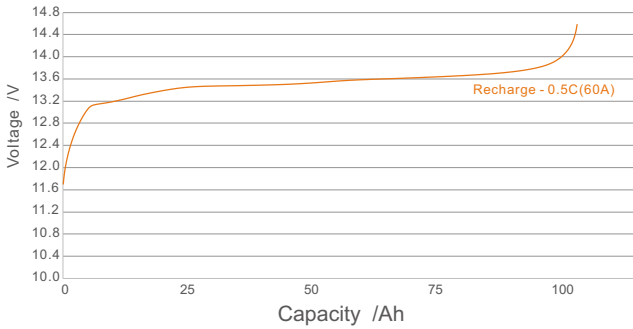
Wheelchairs and scooters  
Solar / wind energy storage  
Back-up power for small  
UPS Golf trolleys & buggies  
Electric bikes  
Tools

(Note) The above characteristics data are average values obtained within three charge/discharge cycles not the minimum values.

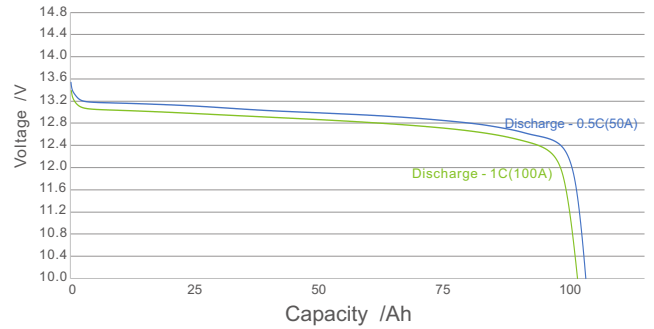
1. Do not Parallel or Series connection till requiring us for particular items.

**RB-KBLI12-1000** 12.8V 100Ah

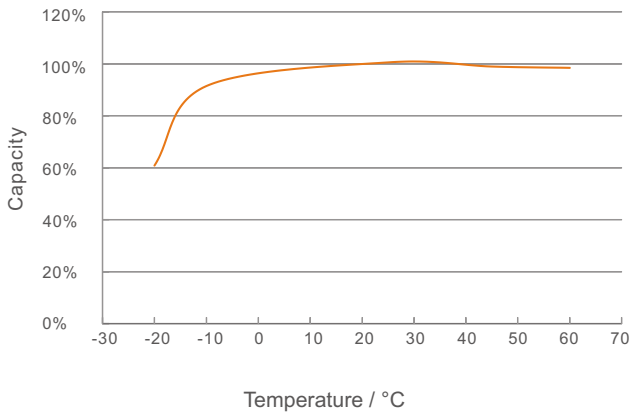
**Charging Characteristics - 0.5C@25°C**



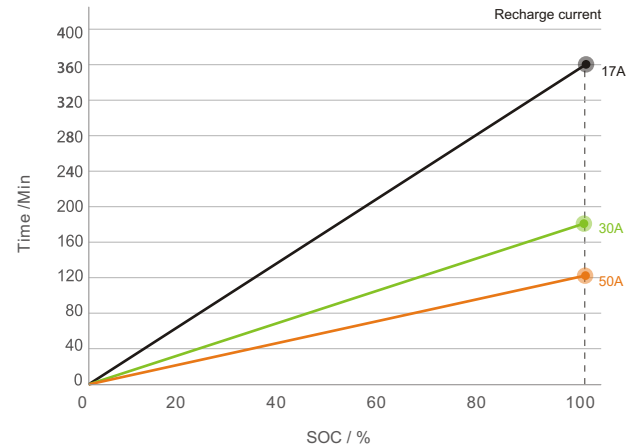
**State of Discharge Curve - 0.5C, 1C@25°C**



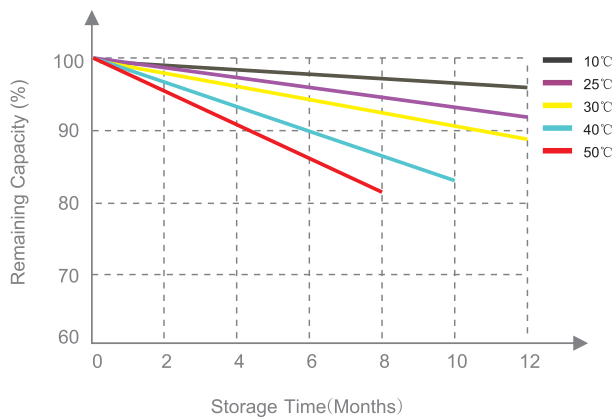
**Capacity With Different Temperature**



**Typical Recharge Time**



**Different Temperature Self Discharge Curve**



**Typical Cycle Life**

