



LIVEN LT Series

Higher capacity and higher energy density and longer service life. Excellent deep cycle property. Private alloy and paste recipe for deep cycle application. Refilling plugs with special construction guarantee less water consumption. SiO₂-PVC separator in nano grade. Advanced TTP welding and heat sealing technology. Terminals with high conductivity are very good at high current discharging. Containers and lids are impact resistant and made of polypropylene (PP). Wider operation temperature, safe and reliable.

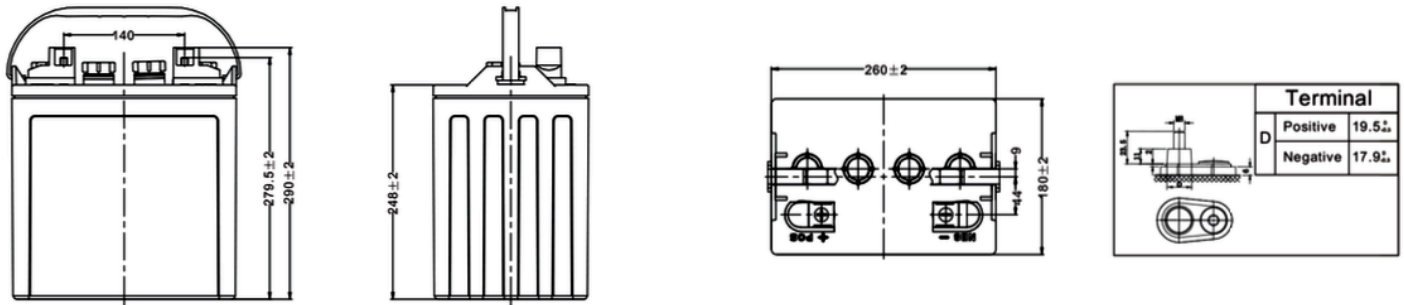
Applications:

- Golf Cart
- Electrical Car
- Electric Sightseeing Car
- Marine
- Renewable Energy
- Electrical Sweeper
- Mini-truck
- Transportation without Driver

Dimensions:

Length	260±1.5mm (10.24in)
Width	180±1.5mm (7.09in)
Height	248±1.5mm (9.76in)
Total Height	279.5±1.5mm (11.00in)

Technical Drawings:



Charge Method

Initial Charge:

- 1) 0.1C₂₀ (A) charging 15h
- 2) 0.05C₂₀ (A) charging 10h

The temperature of the battery should be below 50°C during charging.

Supplement Charge:

a) Charging at a constant voltage of 9.8~10V/cell and a limited current 0.25C₂₀ (A) until the electrolyte density up to 1.280g/cm³ (30°C) and the current not change for 3 hours.

b) Charge with constant current 0.1C₂₀ (A) until the voltage between 10.4~11.2V/cell, and voltage maintains for 3 hours and not change.

Two method optional

Discharge Characteristics Curve (25°C, 77°F)

