


LIVEN LVDC Series

LVDC series are manufacturing with Lead Carbon active material to perform in partial state of charge (PSoC) applications and double separator configuration. LVDC series are AGM-GEL technology Valve Regulated Lead Acid (VRLA) suitable for Deep Cycle applications. Electrolyte + GEL for longer cycle life. Maintenance-Free Sealed Lead Acid Battery.

Applications:

- Wheelchairs
- Golf trolleys
- Electric sweepers
- Floor machines
- Electric vehicles
- Lawn mowers
- Portable power
- Railway and Marine systems
- Medical equipments
- Renewable energies

Dimensions:

Length	260±1.5mm (10.2in)
Width	168±1.5mm (6.61in)
Height	208±1.5mm (8.19in)
Total Height	214±1.5mm (8.43in)

Specifications:

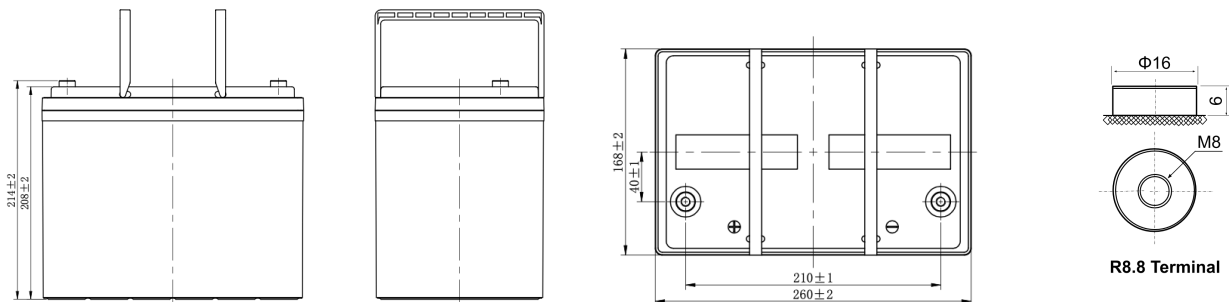
Cells Per Unit	6
Voltage Per Unit	12V
Nominal Capacity	90.0Ah @20hour-rate to 1.75V per cell @25°C 77.0Ah @5hour-rate to 1.75V per cell @25°C
Weight	Approx. 23.8Kg ±2% (52.5lbs)
Terminal	R8.8
Recommended Maximum Charging Current	18.0A
Cycle Use Voltage	14.40V~14.70V @ 25°C Temperature Compensation: -4mV/°C/Cell
Operating Temperature Range	Discharge: -20°C~55°C Charge: 0°C~40°C Storage: -15°C~40°C
Normal Operating Temperature Range	25°C±5°C

Self Discharge

LIVEN Valve Regulated Lead Acid (VRLA) batteries can be stored for up to 6 months at 25°C and then recharging is recommended. Monthly Self-discharge ratio is less than 3% at 25°C. Please charge batteries before using.

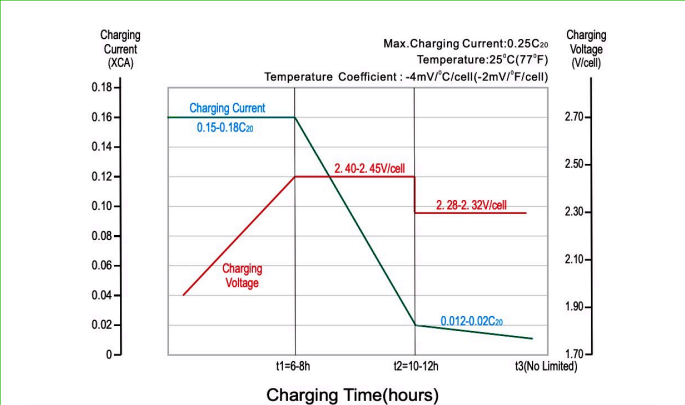
Container Material

ABS

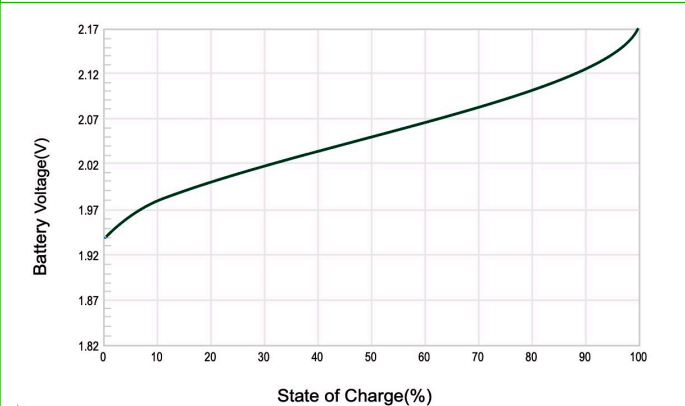
Technical Drawings:

Constant Current Discharge (CC, Unit: A) at 25°C (77°F)

Voltage (V)	Capacity (Ah)				Reserve Capacity (Min)	
	20h	10h	5h	3h	25A	75A
12	90	85	77	72	150	35

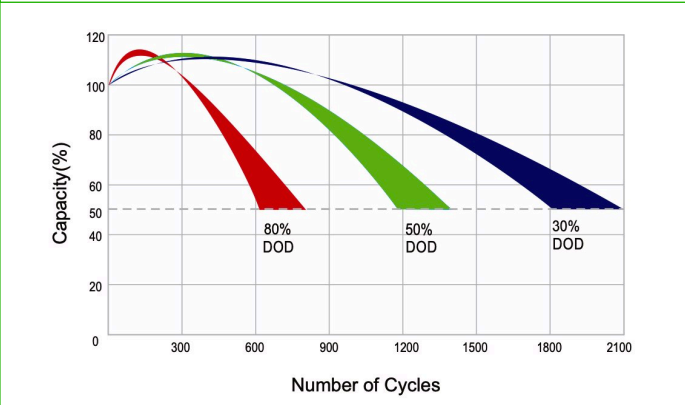
Charging Profile



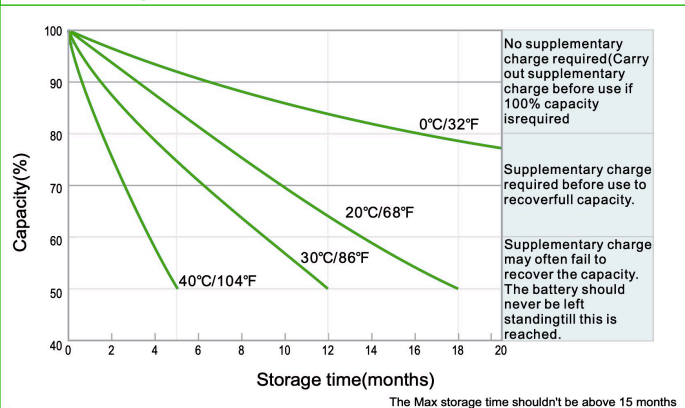
Relationship of OCV and State Of Charge(25°C,77°F)



Cycle Life in Relation to Depth Of Discharge



Self-discharge Characteristic



(Note) All above information shall be changed without prior notice. LIVEN Battery reserves the right to explain and update the latest information.