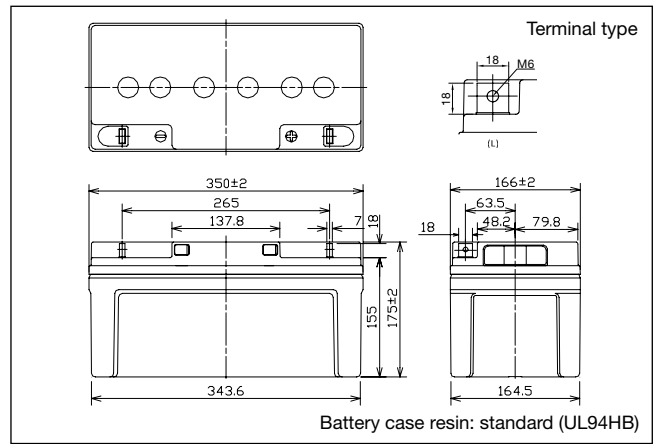


LC-X1275P*

For standby power supplies.
Expected trickle design life: 10 – 12 years at 20 °C according to Eurobat.



Dimensions (mm)



Specifications

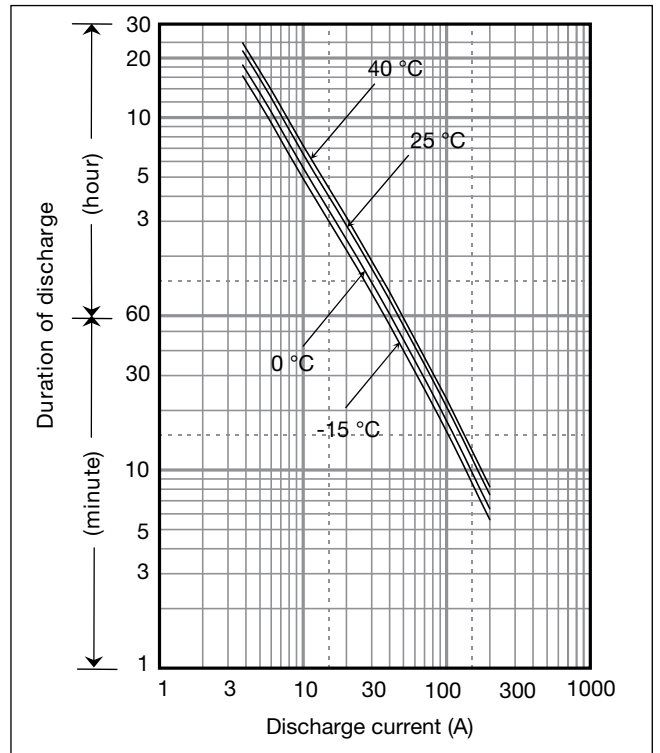
Nominal voltage	12 V	
Nominal capacity (20 hour rate)	75 Ah	
Dimensions	Length	350 mm
	Width	166 mm
	Height	175 mm
	Total Height	175 mm
Approx. mass	24 kg	
Terminal	M6 Bolt and Nut type	

* This battery is also available with a flame retardant battery case resin (UL94V-0).

Characteristics

Capacity (25 °C)	20 hour rate	75 Ah
	10 hour rate	68 Ah
	5 hour rate	61 Ah
	1 hour rate	45 Ah
Internal resistance	Fully charged battery (25 °C)	5 mΩ
Temperature dependency of capacity (20 hour rate)	40 °C	102 %
	25 °C	100 %
	0 °C	85 %
	-15 °C	65 %
Self discharge (25 °C)	After 3 months	91 %
	After 6 months	82 %
	After 12 months	64 %

Duration of discharge vs Discharge current



Watt Table

(Wattage/Battery)

Cut-off V	10min	15min	20min	30min	45min	1h	1.5h	2h	3h	4h	5h	6h	10h	20h	24h
9.6V	1985	1546	1350	1017	722	601	411	327	220	171	149	125	79.5	45.0	37.2
9.9V	1962	1538	1342	1009	703	599	403	325	216	169	147	125	79.5	45.0	37.2
10.2V	1955	1531	1327	994	699	595	400	321	215	168	144	124	78.6	45.0	37.2
10.5V	1783	1446	1265	978	691	591	395	317	215	168	144	124	78.6	45.0	37.2
10.8V	1693	1400	1234	962	597	512	355	301	205	164	143	120	77.8	44.1	37.2

Ampere Table

(Ampere/Battery)

Cut-off V	10min	15min	20min	30min	45min	1h	1.5h	2h	3h	4h	5h	6h	10h	20h	24h
9.6V	177	134	116	86.9	61.5	51.0	34.8	27.6	18.5	14.3	12.4	10.4	6.62	3.75	3.10
9.9V	175	134	116	86.3	59.9	50.8	34.1	27.4	18.2	14.2	12.2	10.4	6.62	3.75	3.10
10.2V	175	133	114	84.9	59.5	50.5	33.8	27.1	18.1	14.0	12.0	10.4	6.55	3.75	3.10
10.5V	159	126	109	83.6	58.9	50.2	33.4	26.8	18.1	14.0	12.0	10.4	6.55	3.75	3.10
10.8V	151	122	106	82.3	50.8	43.5	30.1	25.4	17.3	13.7	11.9	10.0	6.49	3.68	3.10

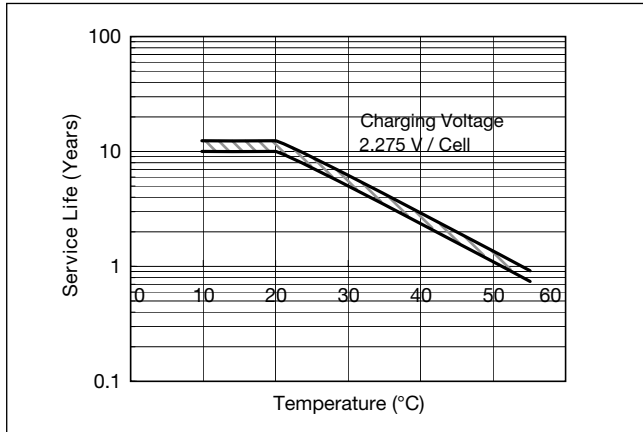
Charging Method

Trickle use	Control voltage: 13.6 - 13.8 V; Initial current: 11.25 A or smaller
-------------	--

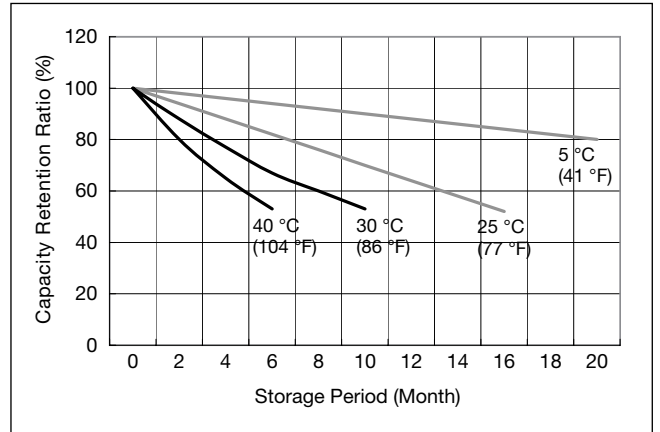
Cut off voltage

Discharge current	3.75 A - 15 A	15 A - 37.5 A	37.5 A - 75 A	75 A - 150 A	150 A - 225 A
Cut off voltage (V)	10.5	10.2	9.9	9.3	8.7

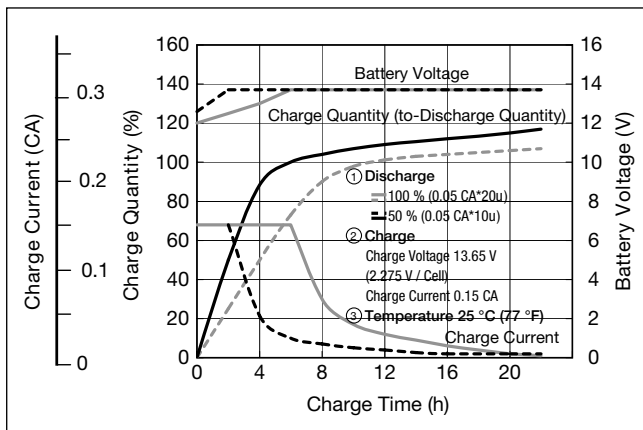
Influence of Temperature on Trickle life



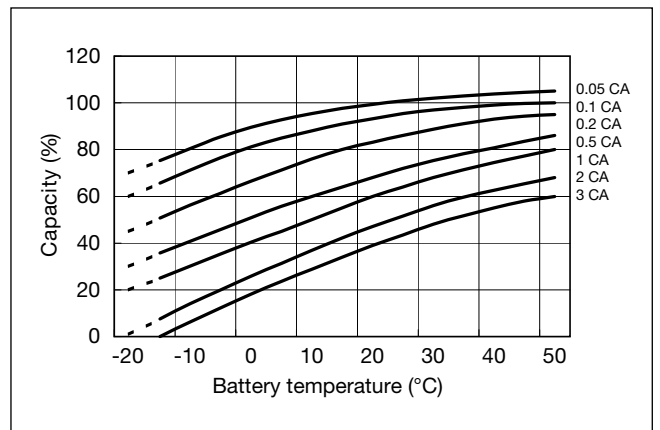
Residual capacity vs storage period



Constant-voltage and constant-current charge characteristics for Trickle use



Discharge capacity by temperature and by discharge current



Discharge characteristics

