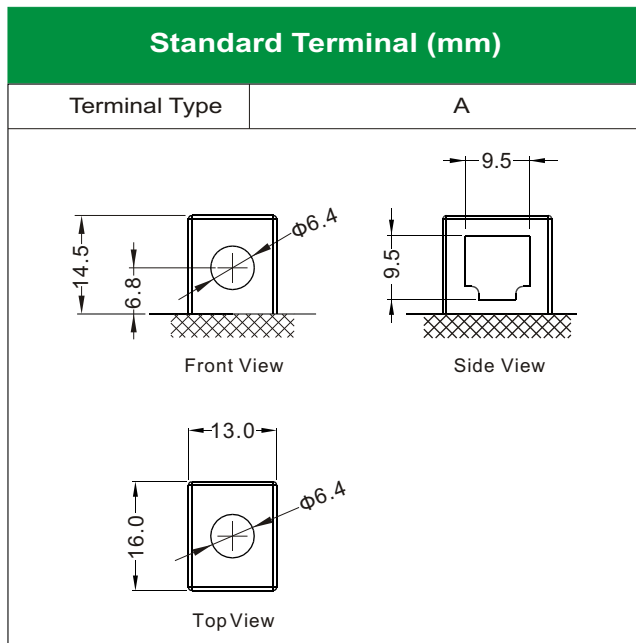
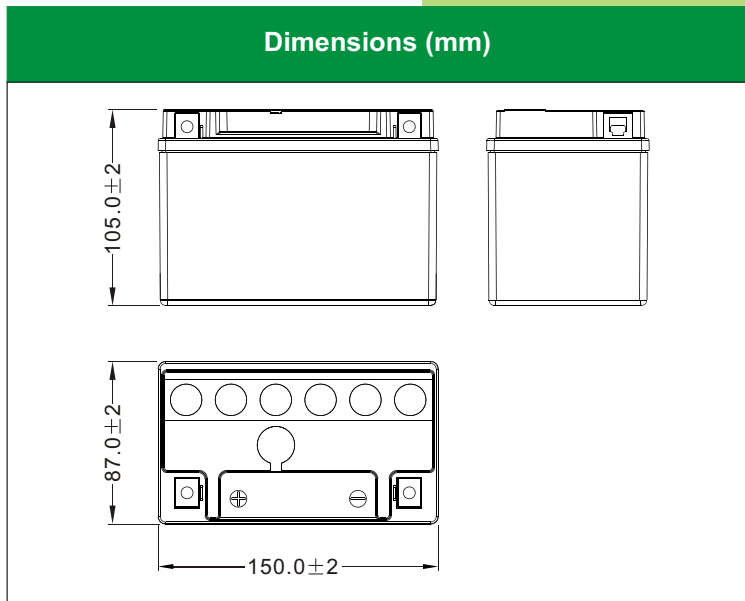




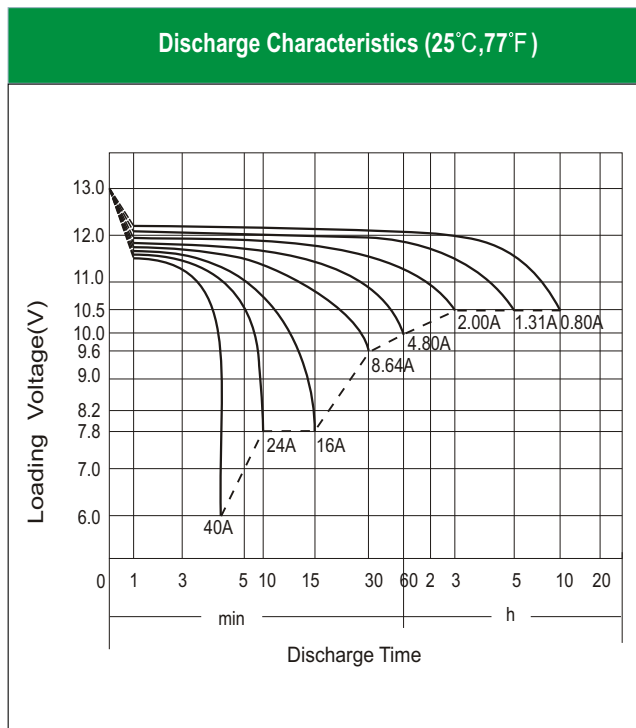
LTX9-BS [12V8Ah]



Physical Specification

Nominal Voltage	12V	
Nominal Capacity (10HR)	8AH	
Dimension	Length	150 ± 2mm (5.91 inches)
	Width	87 ± 2mm (3.43 inches)
	Container Height	105 ± 2mm (4.13 inches)
	Total Height (with Terminal)	105 ± 2mm (4.13 inches)
Weight	Battery(with acid): Approx 3.04kg (6.70lbs)	
	Electrolyte: Approx 0.58kg (1.28lbs)	

- * Sealed and non-spillable AGM battery
- * Maintenance-free
- * Powerful 120 cold cranking amps
- * Shipped pre-charged and ready to install
- * Replaces /upgrade for LT9-4



Electrical Specification

Rated Capacity	10 hour rate (0.80 A)	8.00AH
	5 hour rate (1.31 A)	6.56AH
	2 hour rate (2.80 A)	5.60AH
	1 hour rate (4.80 A)	4.80AH
	0.5 hour rate (8.64 A)	4.32AH
Capacity affected by Temperature	40 °C (104 F)	106%
	25 °C (77 F)	100%
	0 °C (32 F)	86%
	-15 °C (5 F)	65%
Self Discharge	Approximately 3% per month (25°C (77°F))	
Charging Methods	Full Charge	Constant-Voltage Charge: Initial charging current: less than 2.4A Voltage: 14.40 V ~ 15.00 V at 25 °C (77 °F) Charging time: 15 ~18h Constant-Current Charge: Charging current: 0.1C ₁₀ =0.80A, when charging voltage up to 14.40V, continue to charge 4h
	Floating Charge	No limit on Initial charging current Voltage: 13.50 V ~ 13.80 V at 25 °C (77 °F)