

# CR2477N

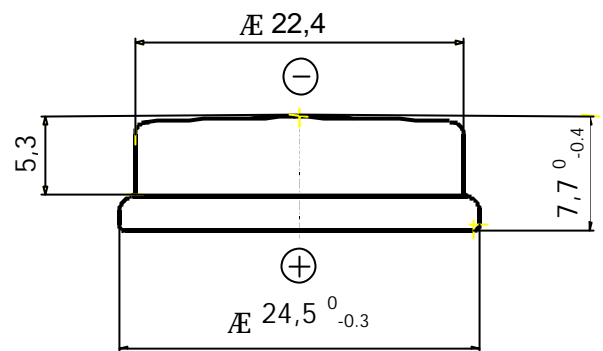
3V Lithium Battery  
Swiss Made

## Technical Data Sheet

### Specifications

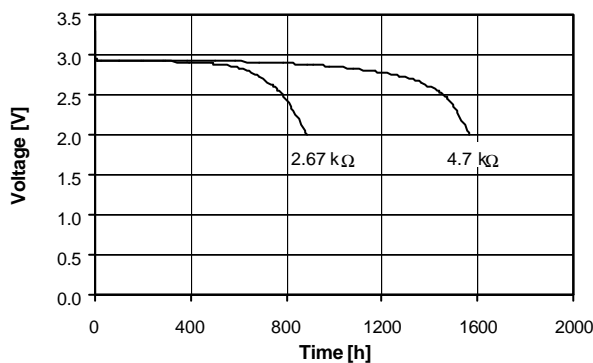
Chemical System	Li / MnO <sub>2</sub>
Nominal Voltage	3 V
Rated Capacity	950 mAh
Standard Discharge Current	1,0 mA
Max. Cont. Discharge Current	2,5 mA
Average Weight	8,3 g
Temperature Range	-30 - +70 °C
Self Discharge at 23°C	< 1% / year

### Dimensions

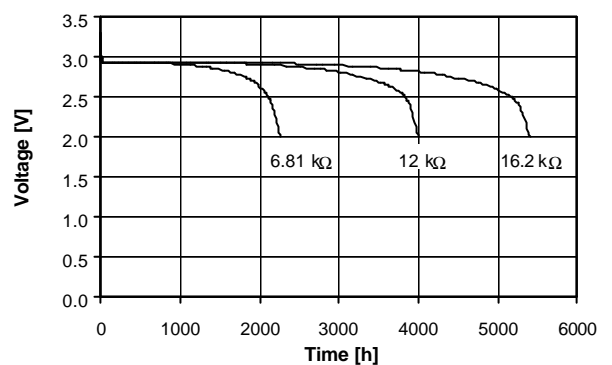


### Performance

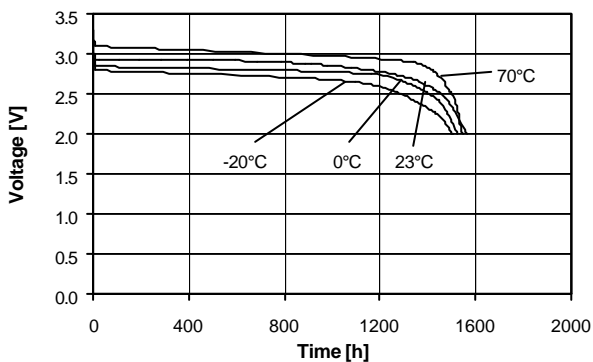
Discharge performance at 23°C



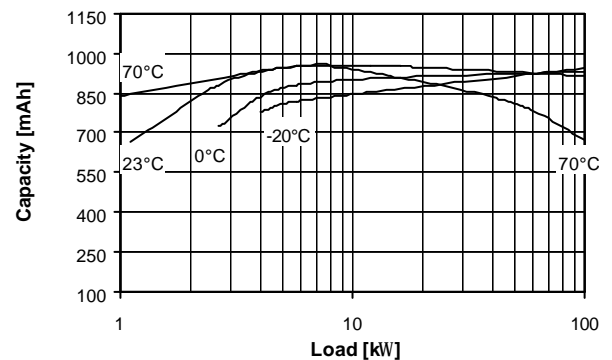
Discharge performance at 23°C



Temperature performance Load 4.7kW



Cell capacity at various loads



Information and contents in this data sheet are for reference purpose only. They do not constitute any warranty or representation and are subject to change without notice. For most current information and further details, please contact your Renata representative.

Rev. CR2477N.03 10/01