

# BATTERY CHARGER FOR SEALED LEAD ACID BATTERIES OPERATING INSTRUCTIONS

## LED Indicators

- Green led flash: Power on
- Green led on: 100% charged
- Red led flash: Fault
- Red led on: Charging

## Proper Charging Procedures

- Make sure the rated input voltage of charger is coincidence with voltage of electrical net.
- Make sure charger's output voltage matches battery's input voltage.
- Plug in charger before connecting output leads to the battery. GREEN LED flash indicates power is ON.
- After hooking battery up to charger, RED LED will light up indicating FAST CHARGE.
- GREEN LED will come on when charger has switched to FLOAT CHARGE indicating that battery is close to be fully charged.
- Disconnect charger first from power outlet, then from the battery.
- Avoid leaving charger plugged in for extended period when not charging a battery.

## Important Safety Information

- Always use basic precaution such as paying close attention to proper matching of charger and battery and correct polarity connection, positive (RED) to positive, negative (BLACK) to negative.
- Read the instructions and charging information before using any charger.
- Keep children away from charging set-up.
- Indoor use only. Remove charger from AC outlet when charging is completed.
- Avoid shock and water

## Attention

- (1) Do not attempt to recharge any non-rechargeable batteries.
- (2) This appliance is not intended for use by persons (including children) with reduced physical, sensory or mental capabilities, or lack of experience and knowledge, unless they have been given supervision or instruction concerning use of the appliance by a person responsible for their safety.
- (3) Children should be supervised to ensure that they do not play with the appliance.
- (4) If the supply cord is damaged, it must be replaced by the manufacturer, its service agent or similarly qualified persons in order to avoid a hazard.

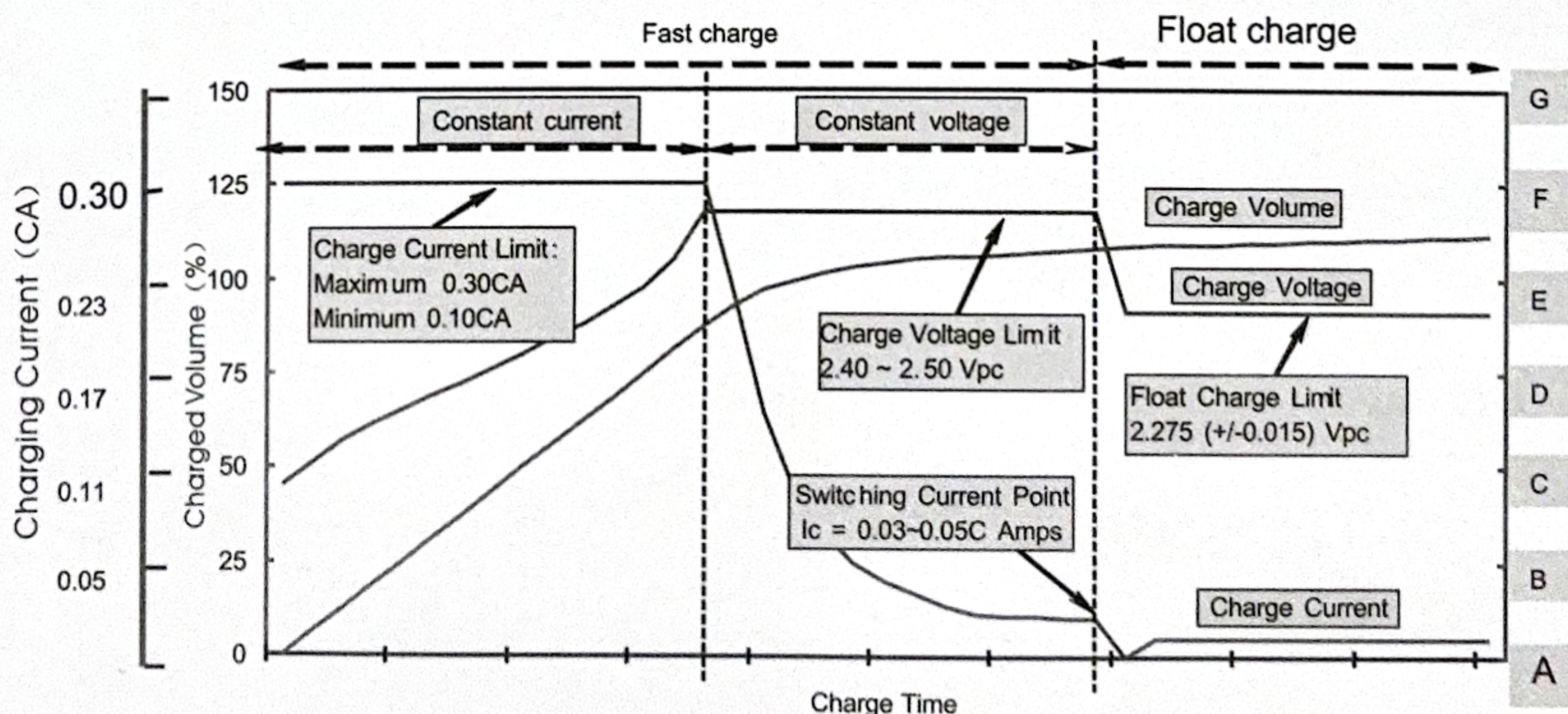
Do not dispose of electrical appliances as unsorted municipal waste, use separate collection facilities. Contact your local government for information regarding the collection systems available. If electrical appliances are disposed of in landfills or dumps, hazardous substances can leak into the groundwater and get into the food chain, damaging your health and well-being.



## Charge Voltage Status

Charge Voltage (V)	2V	6V	12V	24V	36V
G	2.70	8.00	16.00	32.00	48.00
F	2.67	7.50	15.00	30.00	45.00
E	2.50	7.00	14.00	28.00	42.00
D	2.33	6.50	13.00	26.00	39.00
C	2.00	6.00	12.00	24.00	36.00
B	1.83	5.50	11.00	22.00	33.00
A	1.67	5.00	10.00	20.00	30.00

## Charging Recommendations For Cyclic Applications



**ALWAYS RECHARGE BATTERY IMMEDIATELY AFTER USE**