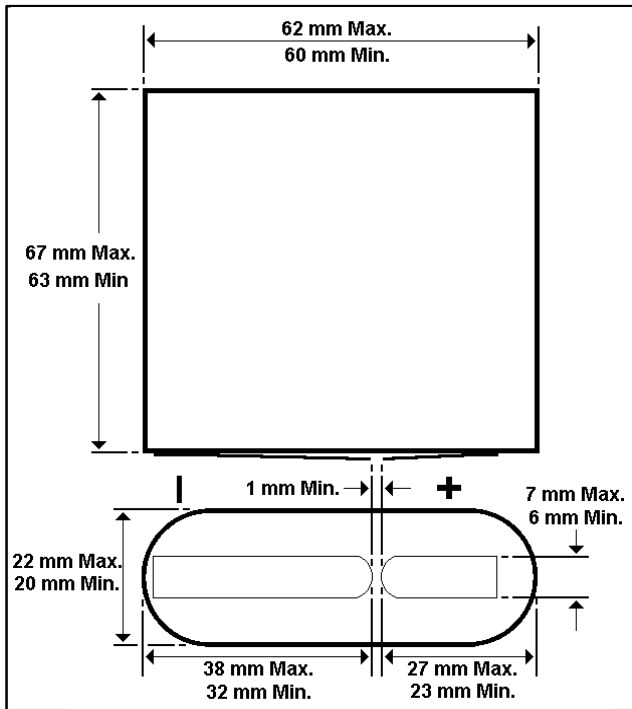


Alkaline Manganese Dioxide Battery

MN1203 3LR61



SPECIFICATIONS

Minimum No Load Voltage:	4.5 V
Minimum On Load Voltage:	4.2V on 15Ohms at 200

Minimum Life	20 H 20 Ohms 1 Hr/Day 3 V
--------------	------------------------------

Rated Capacity	N/A mAh on Ohms to V
----------------	-------------------------

Volume	80 cm ³
--------	--------------------

Weight	149g
--------	------

Physical Size in mm	Max	Min
Height/Length	67	63
Width/Diameter	62	60
Depth	22	20

Typical Discharge Characteristics

